

RIDGE

FG2010 - RIDGE - PURLINS

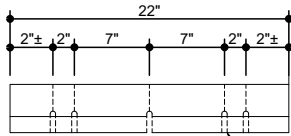
FG2015 - RIDGE - JOIST

FG2010 - RIDGE - PURLINS

[Download the DWG file by clicking here.](#)

RIDGE CAP LAP & FLASHING BACKER

SLIDE FIELD CUT SECTION FLASHING ENDLAP BACKER ONTO THE LOWER TRIM PIECE. PLACE TAPE MASTIC NEXT TO HEM OF THE BACKER (NOT ON TOP OF HEM). MARRY LAP MASTIC WITH MASTIC BETWEEN RIDGE CAP AND OUTSIDE CLOSURES.

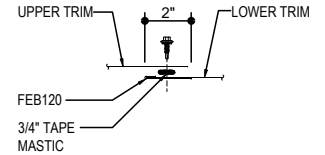
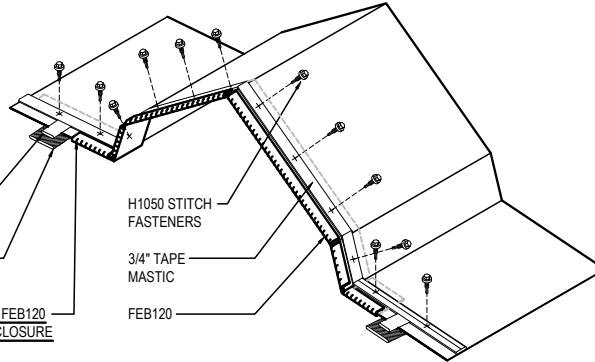


FLASHING ENDLAP BACKER
FIELD CUT FROM STANDARD FEB120

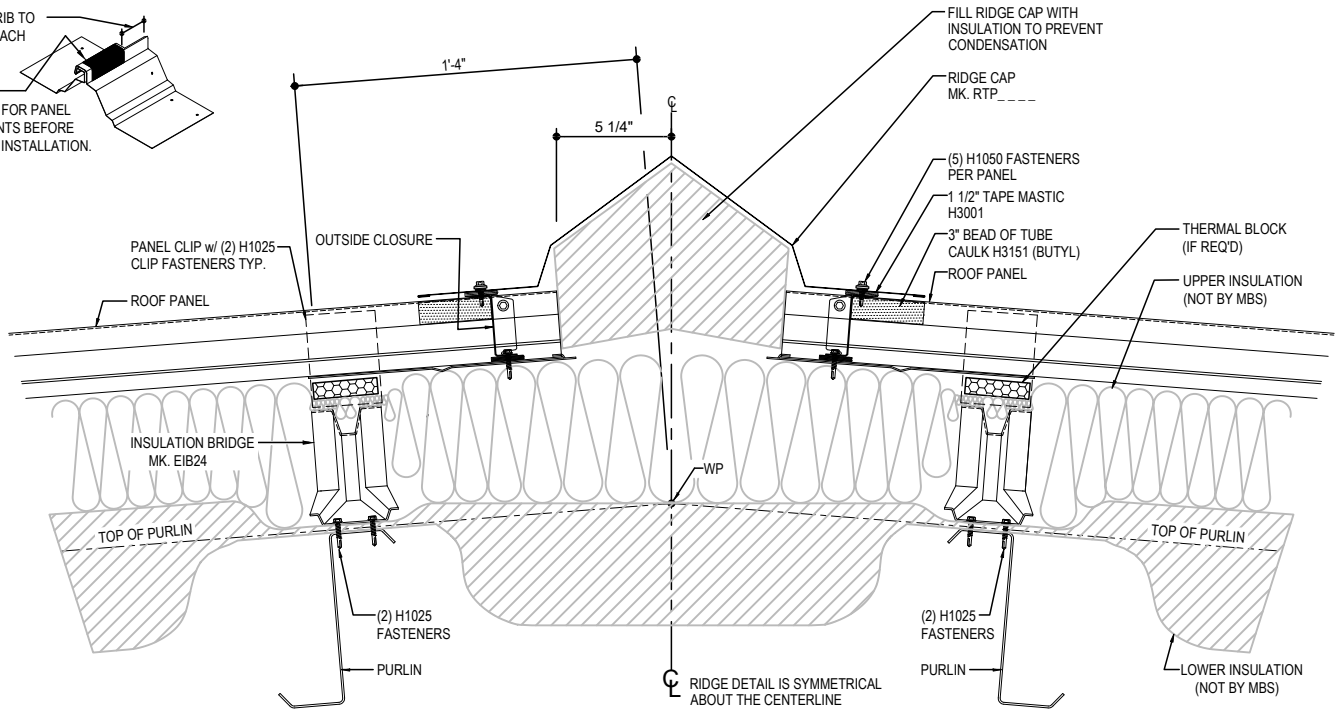
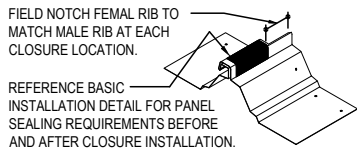
NOTCH HEM AND BEND TO MATCH PROFILE

3/4" MASTIC MARRY TO MASTIC BELOW
1 1/2" TAPE MASTIC

DO NOT EXTEND FEB120 OVER OUTSIDE CLOSURE



RIDGE CAP LAP DETAIL



R-Boost™ RIDGE DETAIL
ROOF SYSTEM WITH PURLINS

FG2010

Detailer Notes:

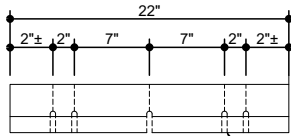
- 1) N/A

FG2015 - RIDGE - JOIST

[Download the DWG file by clicking here.](#)

RIDGE CAP LAP & FLASHING BACKER

SLIDE FIELD CUT SECTION FLASHING ENDLAP BACKER ONTO THE LOWER TRIM PIECE. PLACE TAPE MASTIC NEXT TO HEM OF THE BACKER (NOT ON TOP OF HEM). MARRY LAP MASTIC WITH MASTIC BETWEEN RIDGE CAP AND OUTSIDE CLOSURES.

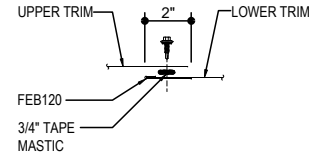
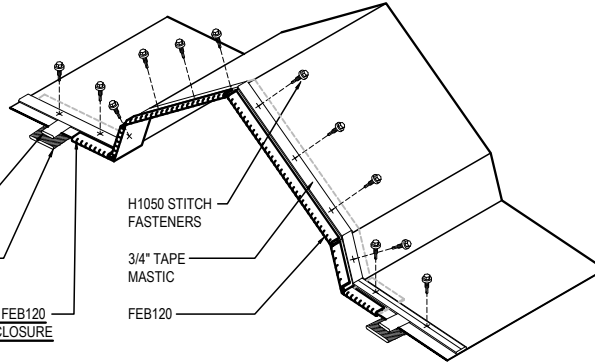


FLASHING ENDLAP BACKER
FIELD CUT FROM STANDARD FEB120

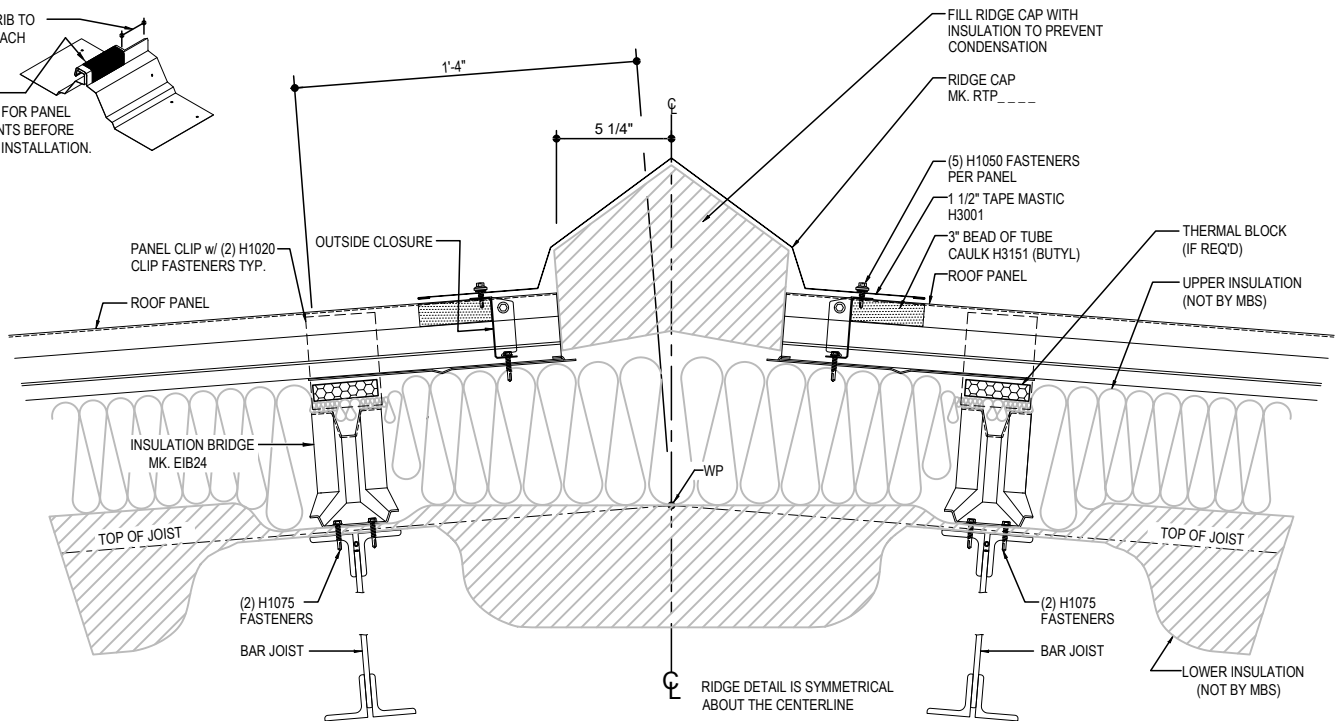
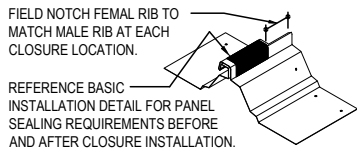
NOTCH HEM AND BEND TO MATCH PROFILE

3/4" MASTIC MARRY TO MASTIC BELOW
1 1/2" TAPE MASTIC

DO NOT EXTEND FEB120 OVER OUTSIDE CLOSURE



RIDGE CAP LAP DETAIL



R-Boost™ RIDGE DETAIL
ROOF SYSTEM WITH ROOF BAR JOISTS

FG2015

Detailer Notes:

- 1) N/A